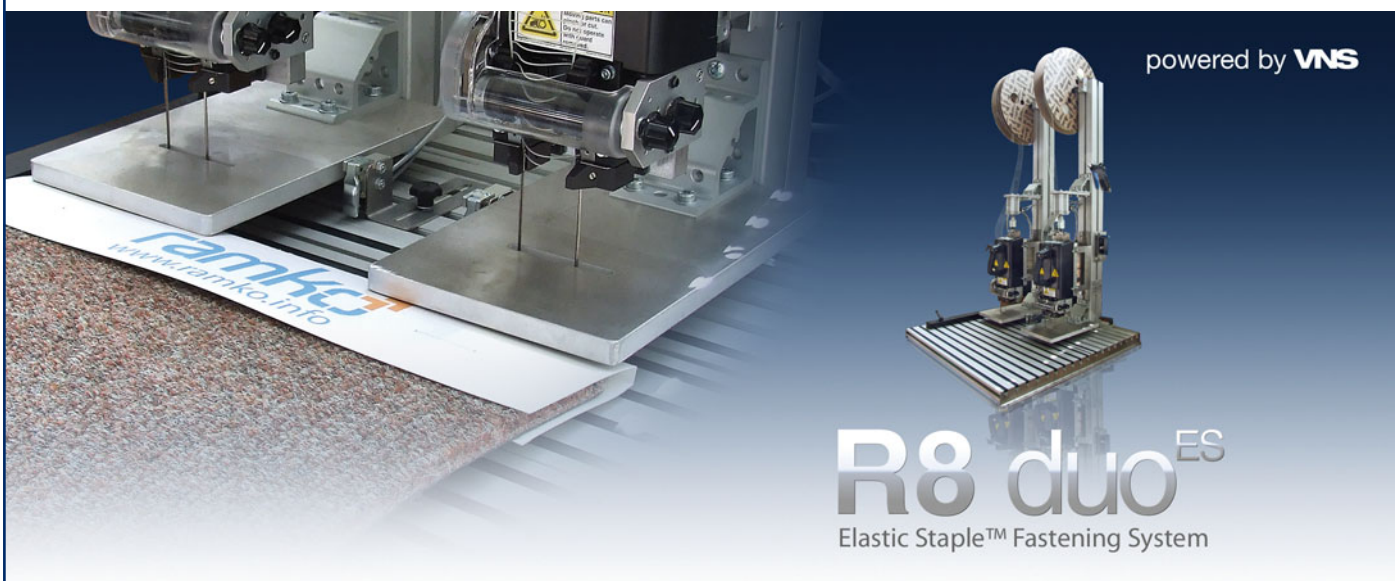


Innovative Packaging Solution for Floor Mats

R8 duo^{ES}



The new RAMKO R8 duo ES is the optimal solution for packaging all door, bathroom and floor mats!

Let your product take over the spotlight and be free from customer-unfriendly metal staples and the inefficiency of a hanger return system!

By increasing the attractiveness of your product at the point-of-sale, you increase desirability and therefore sales. With this innovative solution from RAMKO, you can:

- Present a product that is packaged ready to go.
- Improve customer safety by eliminating sharp metal staples.
- Facilitate a harmonious presentation of your product.



The floor mats are almost „magically“ attached to the plastic hanger and header card using Elastic Staple™ plastic fasteners, which are barely visible.

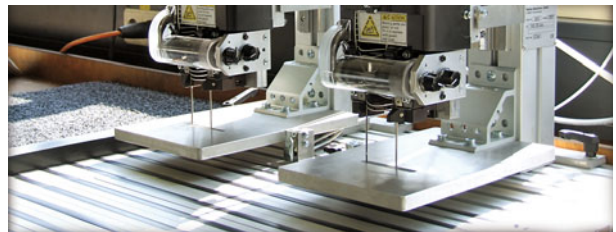
These fasteners can be easily severed with a knife thus allowing a simple removal of the product from the packaging. Consequently, the chances of product damage are practically eliminated.

Technical Data and Implementation of the Solution



The RAMKO R8 duo ES possesses two Variable Needle System - VNS modules from Avery Dennison™ by which the Elastic Staples™ are applied.

Variable stoppers and jigs provide for exact positioning of your products and allow for a rapid and constant packaging speed. This in return will allow you a faster turnaround time to your clients. Furthermore, this automated process greatly reduces the cost intensive manual work associated with traditional metal staple devices.



- Space efficient ready-to-use table-top machine
- Time saving and operator-friendly automatic actuation
- Distance between fastening modules is continuously adjustable from 200mm to 500mm
- Various fastener lengths and colors available
- Optional labelling of the packaging through integrated print and apply applicator



ramko

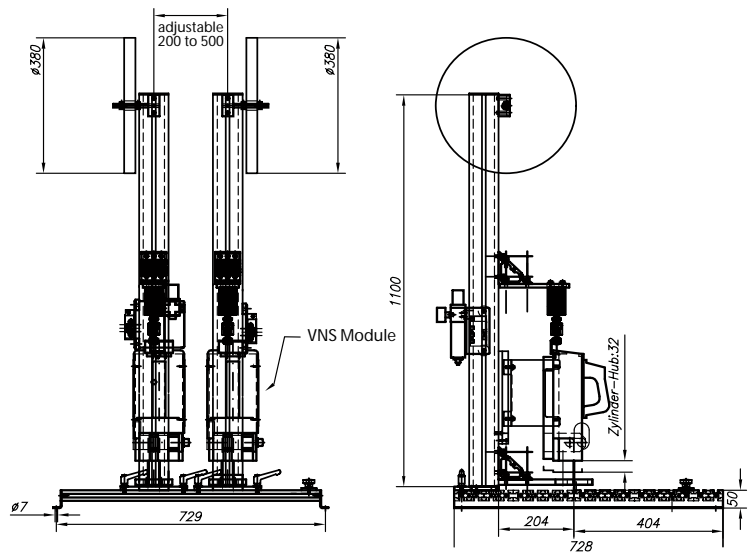
Ramko GmbH
International Headquarters

Markdorfer Str. 1 Phone: +49.7544.5098.400
88048 Friedrichshafen Fax: +49.7544.5098.462
Germany emea@ramko.info

Ramko USA Inc.
3135 Tuttle Road
Archdale, NC 27263
USA
Phone: +1.336.861.6666
Fax: +1.336.861.1999
americas@ramko.info

Ramko Ltd.
Unit 705 & 706
7/F China Insurance Group Bldg
141 Des Voeux Rd
Central, Hong Kong, China
Phone: +852.2151.1608
Fax: +852.2833.2850
asia@ramko.info

Ramko (Guangzhou) Ltd.
D3-601 Linghui Chuangzhan Business Center
No. 38 Hui Cai Road, Dongpu
Tianhe District
Guangzhou, China 510660
Phone: +86.20.8230.7980
Fax: +86.20.8230.8090
asia@ramko.info



For more information visit www.ramko.info

Avery Dennison™ and Elastic Staple™ are registered trademarks of the Avery Dennison Corporation